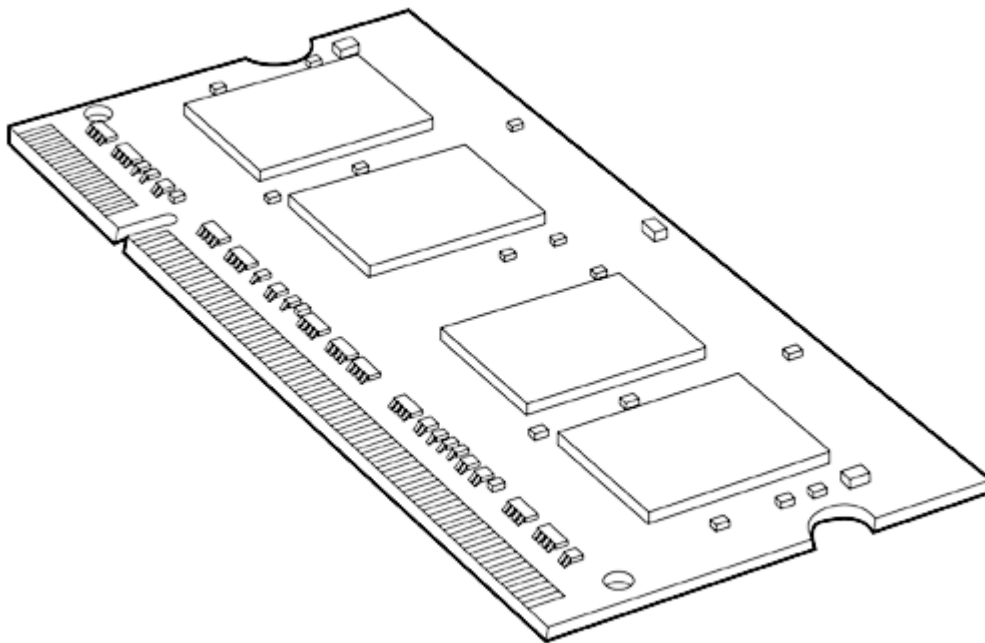


### Overview



---

### Models

#### PC2-5300 Memory SODIMMs

HP 512-MB (DDR2-667) SODIMM

EM993AA

HP 1-GB (DDR2-667) SODIMM

EM994AA

HP 2-GB (DDR2-667) SODIMM

EM995AA

---

#### PC2-6400 Memory SODIMMs

HP 1-GB 800 MHz PC2-6400 DDR2 SODIMM

KT292AA

HP 2-GB 800 MHz PC2-6400 DDR2 SODIMM

KT293AA

HP 4-GB 800 MHz PC2-6400 DDR2 SODIMM

KT294AA

### Overview

#### Introduction

Optimize your HP Business Notebook performance with HP Memory.

Random Access Memory (RAM) temporarily stores information from your operating system, and applications and data that are in current use. This allows your processor to easily access the critical information that makes your programs run. More RAM allows you to run more programs simultaneously and makes it easier to toggle between programs.

Upgrading your memory is an easy, cost-effective way of improving your system performance. Additional memory can also help extend the life of your HP notebook by supporting operating systems and applications that require increased memory bandwidth. When adding memory it is important to use comparable SODIMMs to those already installed. Adding faster SODIMMs will increase the amount of memory but system memory will still run at the speed of the slowest SODIMM.

Because of the continuous development and enhancement of high-performance software applications and operating systems, the minimum memory requirements are increasing with each new software version. Therefore, to maintain the same level of system performance, customers should add more memory when they buy new software or upgrade to newer versions of software.

#### Dual Channel configuration.

Although memory performance industry standards have improved, they lag behind the rapid increase in processor speeds and therefore have become a system bottleneck. Dual channel memory configuration helps minimize the bottleneck by utilizing the theoretical bandwidth of two memory modules instead of one, thus reducing system latencies and significantly improving system performance.

#### Why HP Memory?

HP rigorously tests and qualifies all suppliers for ensured quality so that memory work seamlessly with HP products. Buying HP branded memory ensures all memory characteristics match when upgrading. Protect your investment with certified and warranted HP Memory.

---

#### Key Benefits

More memory allows for:

- Easiest way to boost system performance
- Faster start-up times with fewer delays during routine operations
- Collaboration often requires the simultaneous opening of numerous large files (presentations, spreadsheets, graphics, etc) for review and discussion, requiring additional memory resources
- Permit easy toggling between several open applications
- Avoid system downtime, data losses and financial impact caused by memory failures
- Less frustration with fast evolving software needing more and more memory bandwidth

Why HP-branded memory:

- Rigorous supplier qualification processes for ensured quality
  - Thoroughly tested by HP for high reliability
  - Competitively priced
  - Ensures all memory characteristics match when upgrading
- 

#### Compatibility

See table in Technical Specifications section for compatibilities

**NOTE:** Not all models are available in all regions.

---

### Overview

### Service and Support

HP Memory has a one-year limited warranty or the remainder of the warranty of the HP product in which it is installed (not to exceed 3 years).

Technical support is available seven days a week, 24 hours a day, by phone, as well as online support forums. Certain restrictions and exclusions apply.

### Technical Specifications

PC2-5300 Memory SODIMMs						
Kit Size	# of SODIMMs	Compatibility	Spares information	Data Rate	# of Pins	Motherboard Keynotch
512 MB	1	HP Compaq 4400, 6300, 6400, 7400, 8400 and 9400 series Notebook PCs and HP Compaq 4400 series Tablet PC	406726-001	667 MHz	200	Single
1 GB	1	HP Compaq 4400, 6300, 6400, 7400, 8400 and 9400 series Notebook PCs and HP Compaq 4400 series Tablet PC	406727-001	667 MHz	200	Single
2 GB	1	HP Compaq 4400, 6300, 6400, 7400, 8400 and 9400 series Notebook PCs and HP Compaq 4400 series Tablet PC	406728-001	667 MHz	200	Single

PC2-6400 Memory SODIMMs*						
Kit Size	# of SODIMMs	Compatibility*	Spares information	Data Rate	# of Pins	Motherboard Keynotch
1 GB	1	HP Compaq 6530b, 6535s, 6535b, 6530s, 6735b, 6730b, 6730s, 6735s, 6830s, 6930p, Notebook PCs	484380-001	800 MHz	200	Single
2 GB	1	HP Compaq 6530b, 6535s, 6535b, 6530s, 6735b, 6730b, 6730s, 6735s, 6830s, 6930p, Notebook PCs	484381-001	800 MHz	200	Single
4 GB	1	HP Compaq 6530b, 6535s, 6535b, 6530s, 6735b, 6730b, 6730s, 6735s, 6830s, 6930p, Notebook PCs	484382-001	800 MHz	200	Single

\* [The PC2-6400 Memory SODIMMs are also compatible with the products listed in the PC25300 SODIMM section](#)

© Copyright 2008 Hewlett-Packard Development Company, L.P.  
The information contained herein is subject to change without notice.

Microsoft and Windows are US registered trademarks of Microsoft Corporation.

The information contained herein is subject to change without notice and is provided "as is" without warranty of any kind. The warranties for HP products are set forth in the express limited warranty statements accompanying such products. Nothing herein should be construed as constituting an additional warranty. HP shall not be liable for technical or editorial errors or omissions contained herein.