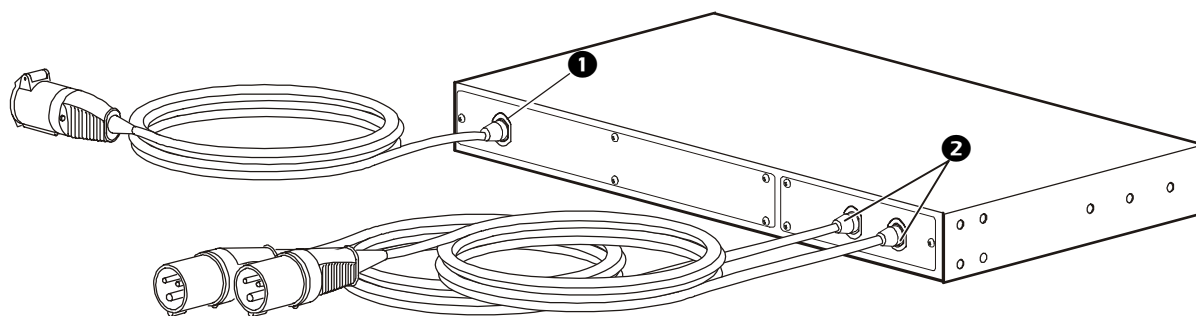


# Automatic Transfer Switch

## Overview

The APC® Automatic Transfer Switch (ATS) is a high-availability switch that provides redundant power to rack-mount equipment. The Automatic Transfer Switch supplies power from a primary input line; if that line becomes unavailable for any reason, the switch automatically begins supplying power from a secondary line.

### Rear view—AP7722



No.	Item	Description/Function
❶	Output Power Cord	The IEC 309 outlet cord connects the switch to a Rack-mount PDU, providing a redundant source of power to the PDU and the equipment connected to it.
❷	Input Power Cord	The two IEC 309 plug cords connect the switch to two separate power sources (A,B). The switch is set to draw power from the preferred source and automatically switch over to the secondary source, when necessary.

# Specifications

---

## AP7722

<b>Electrical</b>	
Nominal input voltage	230 VAC
Acceptable input voltage	220–240 VAC
Nominal input frequency	50/60 Hz
Input connectors	Two 36-inch, attached IEC 309 line cords
Output connectors	One 36-inch, attached IEC 309 line cord
Maximum total current draw	16 A
<b>Physical</b>	
Size (h × w × d)	1.71 × 17.00 × 9.00 in (4.34 × 43.18 × 22.86 cm)
Weight	8.6 lb (3.9 kg)
Shipping Weight	14.1 lb (6.4 kg)
<b>Environmental</b>	
Elevation: Operating (above MSL)	0 to 10,000 ft (0 to 3 000 m)
Elevation: Storage (above MSL)	0 to 50,000 ft (0 to 15 000 m)
Temperature: Operating	–5 to 45°C
Temperature: Storage	–25 to 65°C
Operating Humidity	0 to 95%, non-condensing
<b>Approvals</b>	
EMC Verification	CE, EN55022, EN55024, AS/NZS 3548
Safety Verification	CE, VDE, EN60950